

EURO-WALL, LLC

FIXED WINDOW (HVHZ) (IMPACT)

euro-wall
SUPERIOR BY DESIGN

EURO-WALL, LLC
P.O. BOX 8007
NORTH PORT, FL 34290
PH: 888-989-3876

INSTALLATION NOTES:

- ONE (1) INSTALLATION ANCHOR IS REQUIRED AT EACH ANCHOR LOCATION SHOWN, UNLESS OTHERWISE STATED.
- THE NUMBER OF INSTALLATION ANCHORS DEPICTED IS THE MINIMUM NUMBER OF ANCHORS TO BE USED FOR PRODUCT INSTALLATION.
- INSTALL INDIVIDUAL INSTALLATION ANCHORS WITHIN A TOLERANCE OF ±1/16 INCH OF THE DEPICTED LOCATION IN THE ANCHOR LAYOUT DETAIL (I.E., WITHOUT CONSIDERATION OF TOLERANCES). TOLERANCES ARE NOT CUMULATIVE FROM ONE INSTALLATION ANCHOR TO THE NEXT.
- THROUGH FRAME** : FOR INSTALLATION INTO 2X WOOD BUCK OR FRAMING, USE ONE #10 WOOD SCREW, TYPE INSTALLATION ANCHOR PER LOCATION OF SUFFICIENT LENGTH TO ACHIEVE A MINIMUM 1 1/2" EMBEDMENT.
- THROUGH FRAME** : FOR INSTALLATION INTO METAL STUD, USE ONE #10 SELF-DRILLING SCREW, TYPE INSTALLATION ANCHOR PER LOCATION OF SUFFICIENT LENGTH TO ACHIEVE MINIMUM PENETRATION OF 3 THREADS BEYOND METAL STRUCTURE.
- THROUGH FRAME** : FOR INSTALLATION THROUGH 1X BUCK TO CONCRETE/MASONRY OR DIRECTLY INTO CONCRETE/MASONRY, USE 3/16" ITW TAPCONS OR 3/16" ELCO ULTRACONS OF SUFFICIENT LENGTH TO ACHIEVE 1 1/2" MINIMUM EMBEDMENT.
- MINIMUM EMBEDMENT AND EDGE DISTANCE EXCLUDE WALL FINISHES, INCLUDING BUT NOT LIMITED TO STUCCO, FOAM, BRICK VENEER, AND SIDING.
- INSTALLATION ANCHORS AND ASSOCIATED HARDWARE MUST BE MADE OF CORROSION RESISTANT MATERIAL OR HAVE A CORROSION RESISTANT COATING.
- INSTALLATION ANCHORS SHALL BE INSTALLED IN ACCORDANCE WITH ANCHOR MANUFACTURER'S INSTALLATION INSTRUCTIONS, AND ANCHORS SHALL NOT BE USED IN SUBSTRATES WITH STRENGTHS LESS THAN THE MINIMUM STRENGTH SPECIFIED BY THE ANCHOR MANUFACTURER.
- INSTALLATION ANCHOR CAPACITIES FOR PRODUCTS HEREIN ARE BASED ON SUBSTRATE MATERIALS WITH THE FOLLOWING PROPERTIES:
 - STEEL - MIN. TENSILE YIELD STRENGTH OF 33 KSI. MIN. 18 GAUGE THICKNESS (0.0478").
 - WOOD - MINIMUM SPECIFIC GRAVITY = 0.42.
 - ALUMINUM - MIN. 6063-T5, MIN 1/8" WALL THICKNESS.
 - CONCRETE - MINIMUM COMPRESSIVE STRENGTH OF 3000 PSI.
 - GROUT-FILLED CUM- UNIT STRENGTH CONFORMS TO ASTM C-90 WITH MINIMUM COMPRESSIVE STRENGTH OF 2000 PSI AN GROUT CONFORMS TO ASTM C-476 MINIMUM GROUT COMPRESSIVE STRENGTH OF 2000 PSI.

GENERAL NOTES:

- THE PRODUCT SHOWN HEREIN IS DESIGNED AND MANUFACTURED TO COMPLY WITH THE CURRENT EDITION OF THE FLORIDA BUILDING CODE, INCLUDING HVHZ, AND HAS BEEN EVALUATED TO THE FOLLOWING:
 - TAS 201-94
 - TAS 202-94
 - TAS 203-94
- ADEQUACY OF THE EXISTING STRUCTURAL 2X WOOD FRAMING OR METAL STUD FRAMING AS A MAIN WIND FORCE RESISTING SYSTEM CAPABLE OF WITHSTANDING AND TRANSFERRING APPLIED PRODUCT LOADS TO THE FOUNDATION IS THE RESPONSIBILITY OF THE ENGINEER OR ARCHITECT OF RECORD FOR THE PROJECT OF INSTALLATION.
- THE INSTALLATION DETAILS DESCRIBED HEREIN ARE GENERIC AND MAY NOT REFLECT ACTUAL CONDITIONS FOR A SPECIFIC SITE. IF SITE CONDITIONS CAUSE INSTALLATION TO DEVIATE FROM THE REQUIREMENTS DETAILED HEREIN, A LICENSED ENGINEER OR ARCHITECT SHALL PREPARE SITE SPECIFIC DOCUMENTS FOR USE WITH THIS DOCUMENT IN NON-HVHZ AREA.
- THE INSTALLATION DETAILS DESCRIBED HEREIN ARE GENERIC AND MAY NOT REFLECT ACTUAL CONDITIONS FOR A SPECIFIC SITE. IF SITE CONDITIONS CAUSE INSTALLATION TO DEVIATE FROM THE REQUIREMENTS DETAILED HEREIN, A LICENSED ENGINEER OR ARCHITECT SHALL PREPARE SITE SPECIFIC DOCUMENTS FOR THE USE WITH THIS DOCUMENT.
- APPROVED IMPACT PROTECTIVE SYSTEM **IS NOT REQUIRED** TO PROTECT THIS PRODUCT IN AREAS REQUIRING IMPACT RESISTANCE.
- GLASS MEETS THE REQUIREMENTS OF ASTM E1300. SEE GLAZING DETAILS ON SHEETS 8 & 9.
- WINDOW FRAME MATERIAL: 6063-T6 ALUMINUM
- DESIGNATION "X" AND "O" STAND FOR THE FOLLOWING
X: OPERABLE PANEL
O: FIXED PANEL

TABLE OF CONTENTS	
SHEET	SHEET DESCRIPTION
1	INSTALLATION & GENERAL NOTES
2	ELEVATIONS & ANCHOR LAYOUT SINGLE UNIT
3	ELEVATIONS MULLED UNIT
4	ANCHOR LAYOUT MULLED UNIT
5	VERTICAL SECTIONS
6	HORIZONTAL SECTIONS
7	MULLION DESIGN PRESSURE TABLE BRACKET
8	GLAZING DETAILS
9	GLAZING DETAILS

DESIGN PRESSURE TABLE		WATER TEST PRESSURE	IMPACT RATED
SINGLE UNIT	SEE SHEET 2	12 PSF	LMI & SMI RATED
MULLED UNIT	SEE SHEET 7	9 PSF	

TITLE: **FIXED WINDOW
(HVHZ) (IMPACT)**

INSTALLATIONS & GENERAL NOTES

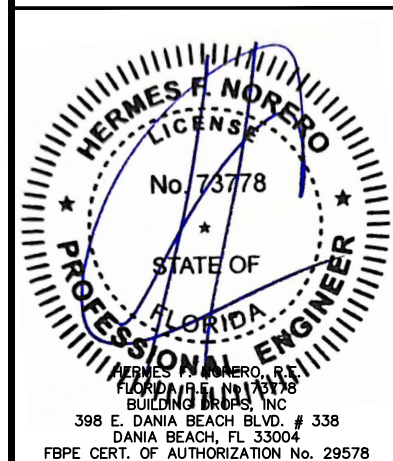
PREPARED BY: **BUILDING DROPS, INC.**

398 E. DANIA BEACH BLVD., STE. 338
DANIA BEACH, FL 33004
PH: (954) 399-8478
FAX: (954) 44-4738
WEB: www.buildingdrops.com



REMARKS	BY	DATE
MISC. UPDATE	OL	6/2023
COMPANY NAME UPD.	SH	9/2023

THE INSTALLATION DETAILS DESCRIBED HEREIN ARE GENERIC AND MAY NOT REFLECT ACTUAL CONDITIONS FOR A SPECIFIC SITE. IF SITE CONDITIONS CAUSE INSTALLATION TO DEVIATE FROM THE REQUIREMENTS DETAILED HEREIN, A LICENSED ENGINEER OR ARCHITECT SHALL PREPARE SITE SPECIFIC DOCUMENTS FOR USE WITH THIS DOCUMENT.



FL #: **FL31965**

DATE: **03.30.2020**

DWG. BY: **YC** CHK. BY: **HFN**

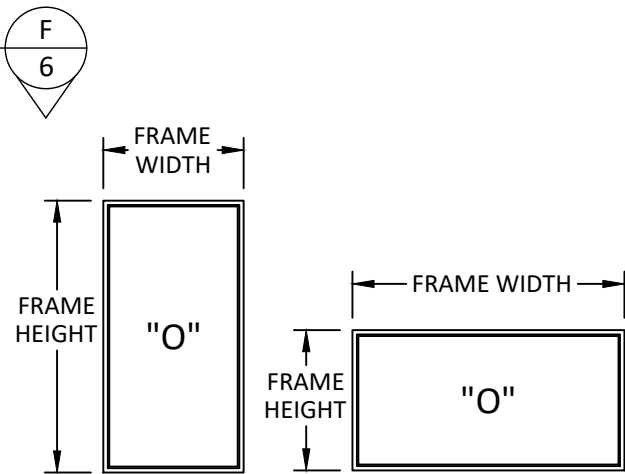
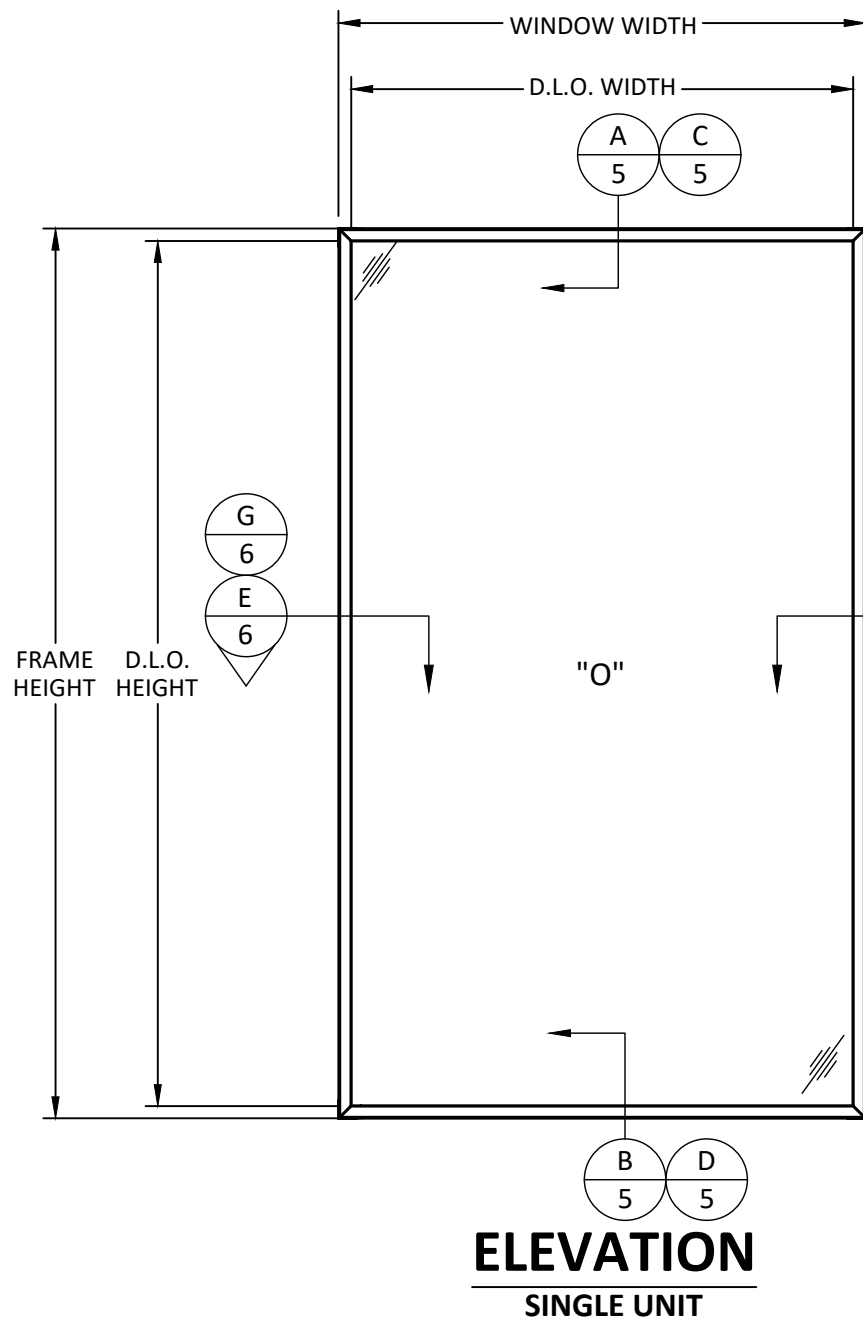
SCALE: **NTS**

DWG. #: **EWS035**

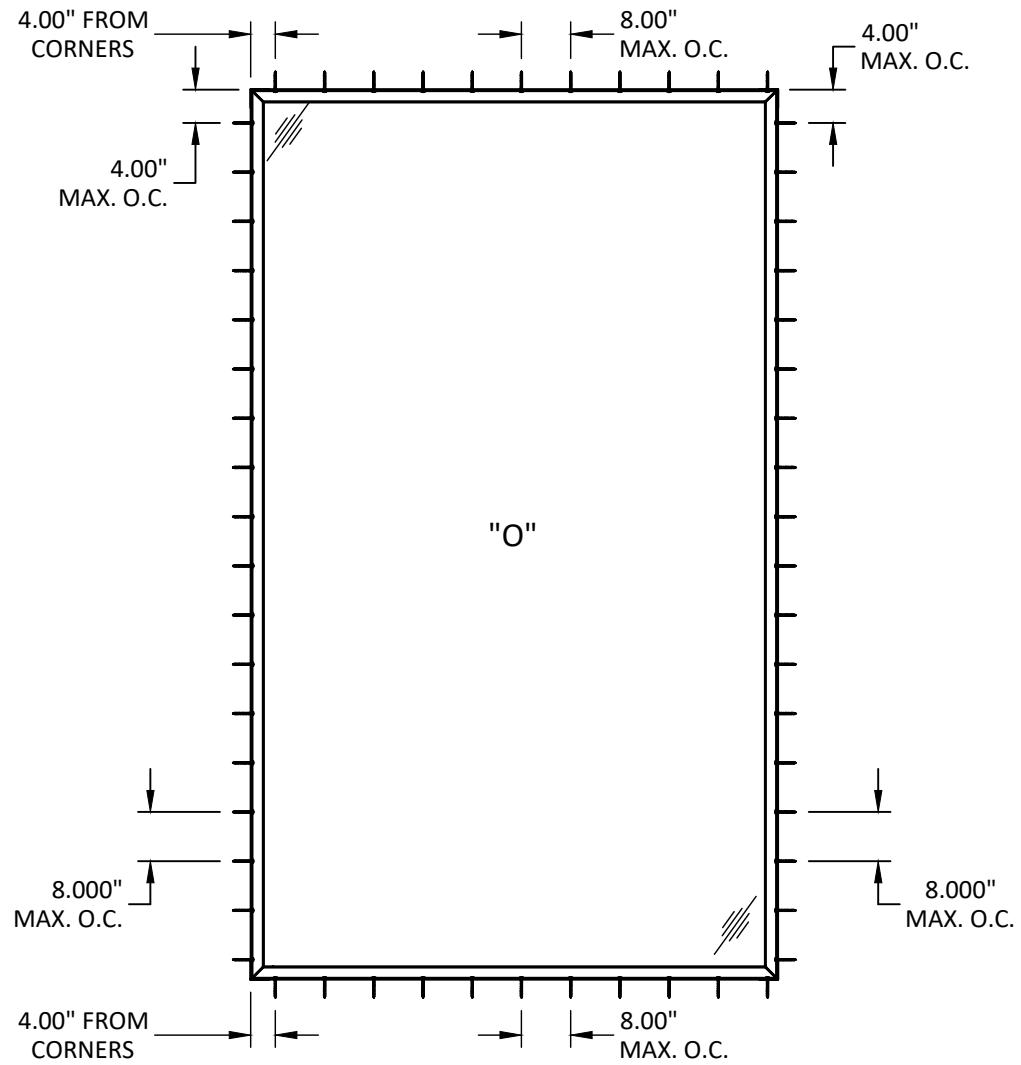
SHEET: **1**

OF 9

9/29/2023 2:33 PM
s:\projects\euro-wall systems\fb-23-0818 - fbc submittal - fbc submittal - ew submittal - ew submittal\131965\ew035.dwg



NOTE:
WINDOW WIDTH AND HEIGHT
ARE INTERCHANGEABLE FOR ALL
SIZES SHOWN HEREIN NOT TO
EXCEED MAXIMUM QUALIFIED
SQUARE FOOT AREA.



ANCHOR LAYOUT
THROUGH FRAME INSTALLATION

- DAYLIGHT OPENING CALCULATIONS:
- D.L.O. HEIGHT = FRAME HEIGHT - 4.000"
 - D.L.O. WIDTH = FRAME WIDTH - 4.000"

		DESIGN PRESSURE TABLE (PSF)													
		FIXED WINDOW WIDTH (INCHES)													
FIXED WINDOW HEIGHT (INCHES)		52	56	60	64	68	72	76	80	85	88	92	96	100	104
	68		80.0	80.0	80.0	80.0	80.0	80.0	80.0	80.0	80.0	80.0	80.0	80.0	80.0
74		80.0	80.0	80.0	80.0	80.0	80.0	80.0	80.0	80.0	80.0	80.0	80.0	80.0	80.0
80		80.0	80.0	80.0	80.0	80.0	80.0	80.0	80.0	80.0	80.0	80.0	80.0	80.0	80.0
86		80.0	80.0	80.0	80.0	80.0	80.0	80.0	80.0	80.0	80.0	80.0	80.0	80.0	80.0
92		80.0	80.0	80.0	80.0	80.0	80.0	80.0	80.0	80.0	80.0	80.0	80.0	80.0	80.0
98		80.0	80.0	80.0	80.0	80.0	80.0	80.0	80.0	80.0	80.0	80.0	80.0	80.0	80.0
104		80.0	80.0	80.0	80.0	80.0	80.0	80.0	80.0	80.0	80.0	80.0	80.0	80.0	80.0
110		80.0	80.0	80.0	80.0	80.0	80.0	80.0	80.0	80.0	80.0	80.0	80.0	80.0	80.0
116		80.0	80.0	80.0	80.0	80.0	80.0	80.0	80.0	80.0	80.0	80.0	80.0	80.0	80.0
122		80.0	80.0	80.0	80.0	80.0	80.0	80.0	80.0	80.0	80.0	80.0	80.0	80.0	-
128		80.0	80.0	80.0	80.0	80.0	80.0	80.0	80.0	80.0	80.0	80.0	80.0	-	-
134		80.0	80.0	80.0	80.0	80.0	80.0	80.0	80.0	80.0	80.0	-	-	-	-
140		80.0	80.0	80.0	80.0	80.0	80.0	80.0	80.0	80.0	80.0	-	-	-	-
145		80.0	80.0	80.0	80.0	80.0	80.0	80.0	80.0	80.0	-	-	-	-	-

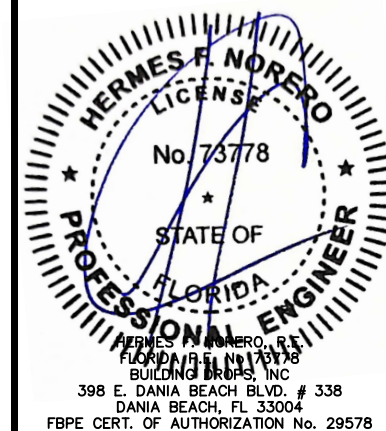
TITLE: **FIXED WINDOW (HVHZ) (IMPACT)**
ELEVATIONS & ANCHOR LAYOUT (SINGLE UNIT)

PREPARED BY: **BUILDING DROPS, INC.**
398 E. DANIA BEACH BLVD., STE. 338
DANIA BEACH, FL 33004
PH: (954)399-8478
FAX: (954)744-4738
WEB: www.buildingdrops.com



REMARKS	BY	DATE
MISC. UPDATE	OL	6/2023
COMPANY NAME UPD.	SH	9/2023

THE INSTALLATION DETAILS DESCRIBED HEREIN ARE GENERIC AND MAY NOT REFLECT ACTUAL CONDITIONS FOR A SPECIFIC SITE. IF SITE CONDITIONS CAUSE INSTALLATION TO DEVIATE FROM THE REQUIREMENTS DETAILED HEREIN, A LICENSED ENGINEER OR ARCHITECT SHALL PREPARE SITE SPECIFIC DOCUMENTS FOR USE WITH THIS DOCUMENT.



FL #: **FL31965**

DATE: **03.30.2020**

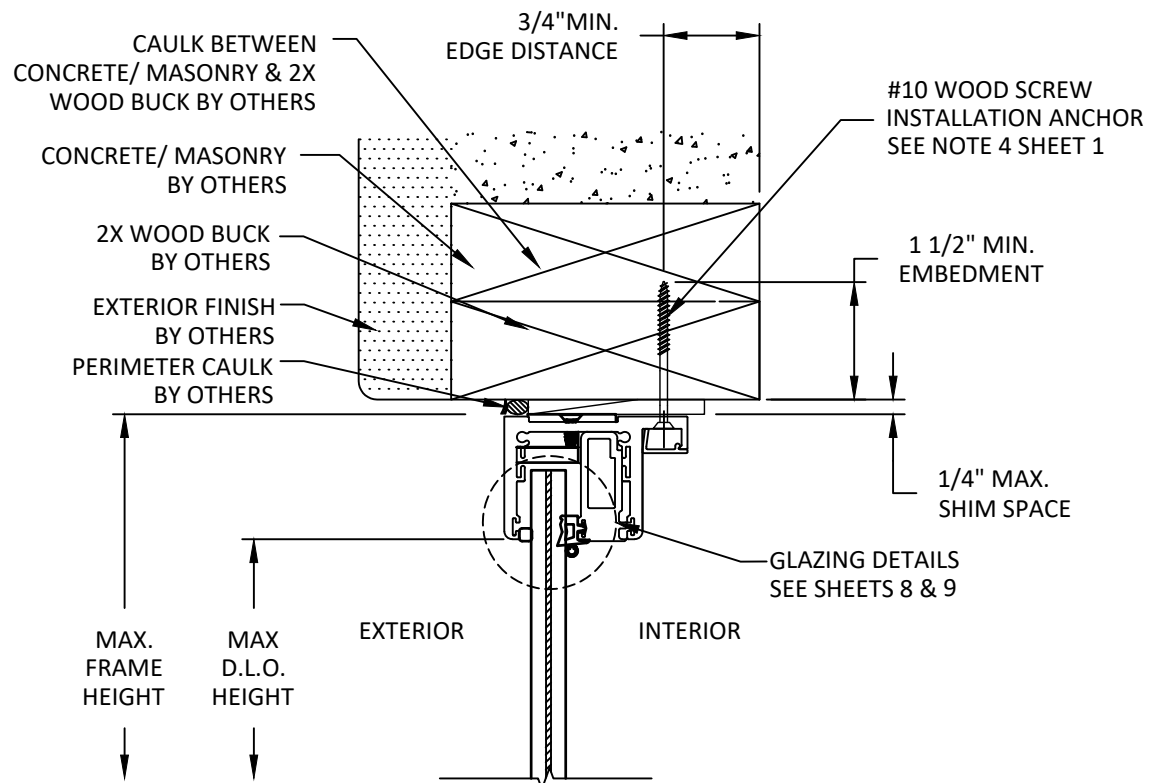
DWG. BY: **YC** | CHK. BY: **HFN**

SCALE: **NTS**

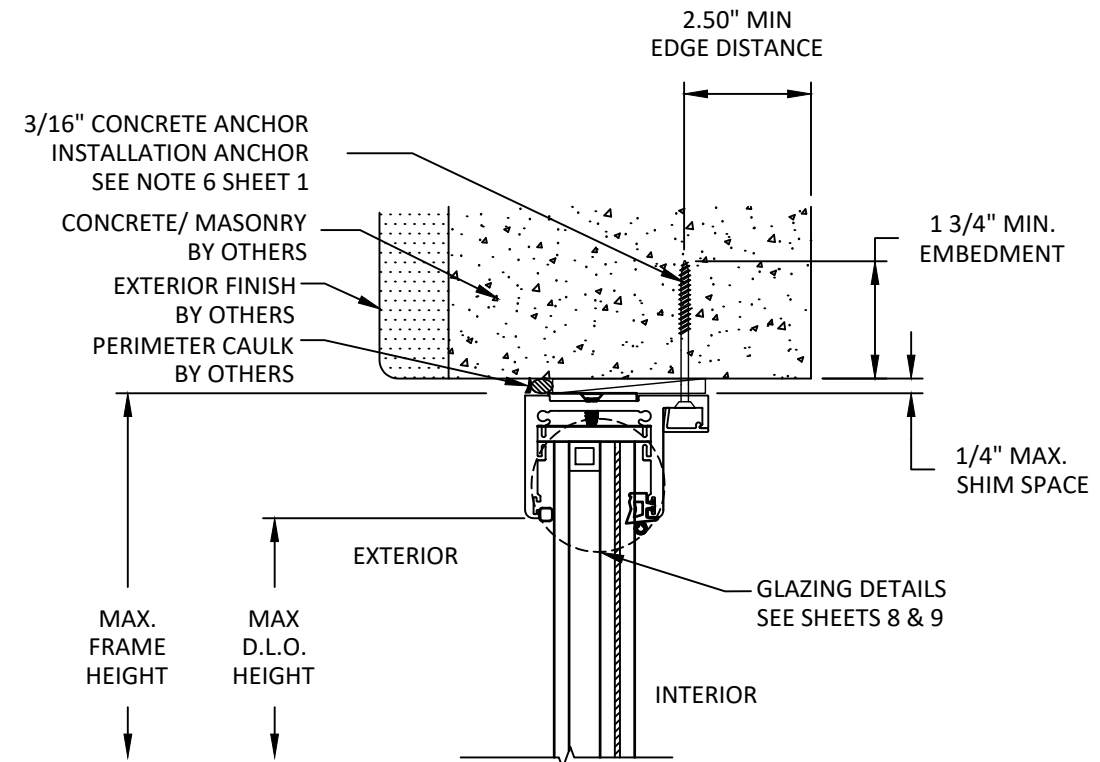
DWG. #: **EWS035**

SHEET:

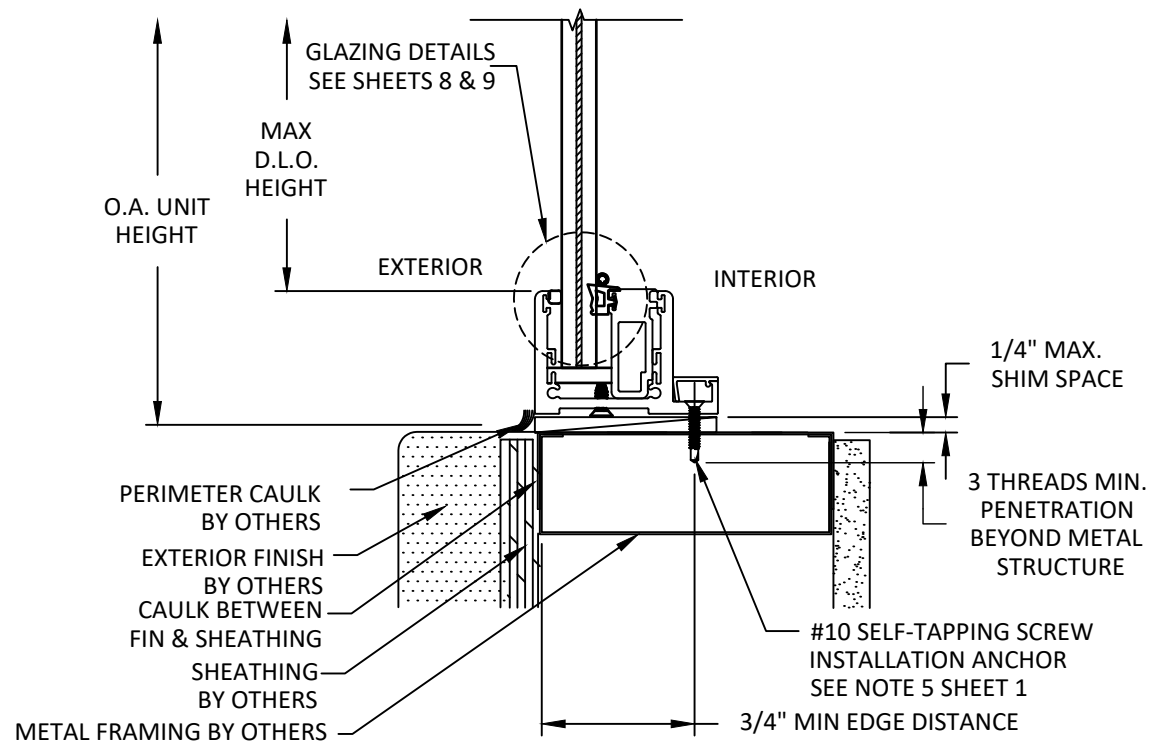
9/29/2023 2:33 PM
 s:\projects\euro-wall systems\fb-23-0818 - fbc submittal - fbc submittal - ew holdings of florida llc name change\dwg\131965\ew035.dwg



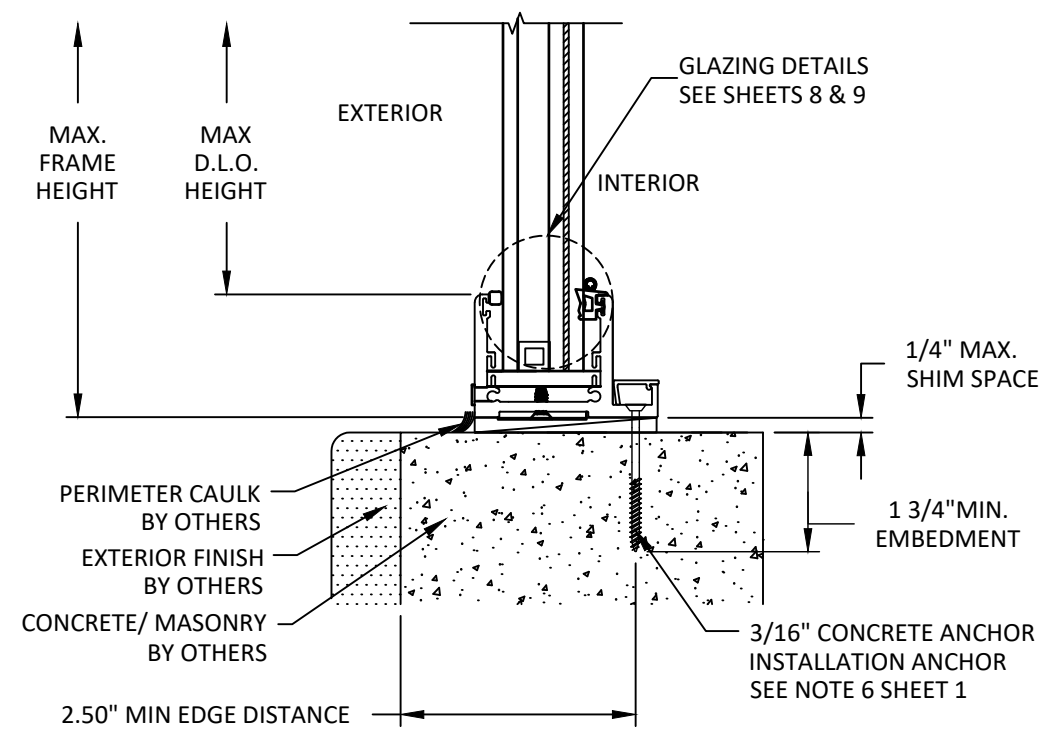
A
5
VERTICAL SECTION
HEAD - 2X WOOD BUCK
THROUGH FRAME INSTALLATION



C
5
VERTICAL SECTION
HEAD - CONCRETE OR CMU
THROUGH FRAME INSTALLATION



B
5
VERTICAL SECTION
SILL - METAL STUD
THROUGH FRAME INSTALLATION



D
5
VERTICAL SECTION
SILL - CONCRETE OR CMU
THROUGH FRAME INSTALLATION

TITLE: **FIXED WINDOW (HVHZ) (IMPACT) VERTICAL SECTIONS**

PREPARED BY: **BUILDING DROPS, INC.**
398 E. DANIA BEACH BLVD., STE. 338
DANIA BEACH, FL 33004
PH: (954) 399-8478
FAX: (954) 744-4738
WEB: www.buildingdrops.com

REMARKS	BY	DATE
MISC. UPDATE	OL	6/2023
COMPANY NAME UPD.	SH	9/2023

THE INSTALLATION DETAILS DESCRIBED HEREIN ARE GENERIC AND MAY NOT REFLECT ACTUAL CONDITIONS FOR A SPECIFIC SITE. IF SITE CONDITIONS CAUSE INSTALLATION TO DEVIATE FROM THE REQUIREMENTS DETAILED HEREIN, A LICENSED ENGINEER OR ARCHITECT SHALL PREPARE SITE SPECIFIC DOCUMENTS FOR USE WITH THIS DOCUMENT.



FL #: **FL31965**

DATE: **03.30.2020**

DWG. BY: YC	CHK. BY: HFN
--------------------	---------------------

SCALE: **NTS**

DWG. #: **EWS035**

s:\projects\euro-wall systems\fb-23-0818 - fbc submittal - ew submittal - ew holdings of florida llc name change\dwg\131965\ew035.dwg
 9/29/2023 2:33 PM

DESIGN PRESSURE TABLE (PSF)

"W" MULLION TRIBUTARY WIDTH (INCHES)

"L" MULLION HEIGHT (INCHES)	"W" MULLION TRIBUTARY WIDTH (INCHES)														
	57	60	63	66	69	72	75	78	81	84	87	90	93	96	
92	60.0	60.0	60.0	60.0	60.0	60.0	60.0	60.0	60.0	60.0	60.0	60.0	60.0	60.0	
96	60.0	60.0	60.0	60.0	60.0	60.0	60.0	60.0	60.0	60.0	60.0	60.0	60.0	60.0	
100	60.0	60.0	60.0	60.0	60.0	60.0	60.0	60.0	60.0	60.0	60.0	60.0	60.0	60.0	
104	60.0	60.0	60.0	60.0	60.0	60.0	60.0	60.0	60.0	60.0	60.0	60.0	60.0	60.0	
108	60.0	60.0	60.0	60.0	60.0	60.0	60.0	60.0	60.0	60.0	60.0	60.0	60.0	60.0	
112	60.0	60.0	60.0	60.0	60.0	60.0	60.0	60.0	60.0	60.0	60.0	60.0	60.0	60.0	
116	60.0	60.0	60.0	60.0	60.0	60.0	60.0	60.0	60.0	60.0	60.0	60.0	60.0	60.0	
120	60.0	60.0	60.0	60.0	60.0	60.0	60.0	60.0	60.0	60.0	60.0	60.0	60.0	60.0	
124	60.0	60.0	60.0	60.0	60.0	60.0	60.0	60.0	60.0	60.0	60.0	60.0	60.0	60.0	
128	60.0	60.0	60.0	60.0	60.0	60.0	60.0	60.0	60.0	60.0	60.0	60.0	60.0	60.0	
132	60.0	60.0	60.0	60.0	60.0	60.0	60.0	60.0	60.0	60.0	60.0	60.0	60.0	-	
136	60.0	60.0	60.0	60.0	60.0	60.0	60.0	60.0	60.0	60.0	60.0	60.0	-	-	
140	60.0	60.0	60.0	60.0	60.0	60.0	60.0	60.0	60.0	60.0	-	-	-	-	
144	60.0	60.0	60.0	60.0	60.0	60.0	60.0	60.0	60.0	60.0	-	-	-	-	

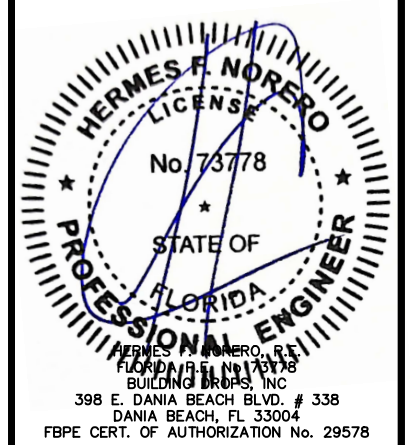
TITLE: **FIXED WINDOW (HVHZ) (IMPACT) MULLION BRACKET**

PREPARED BY: **BUILDING DROPS, INC.**
398 E. DANIA BEACH BLVD., STE. 338
DANIA BEACH, FL 33004
PH: (954)399-8478
FAX: (954)744-4738
WEB: www.buildingdrops.com

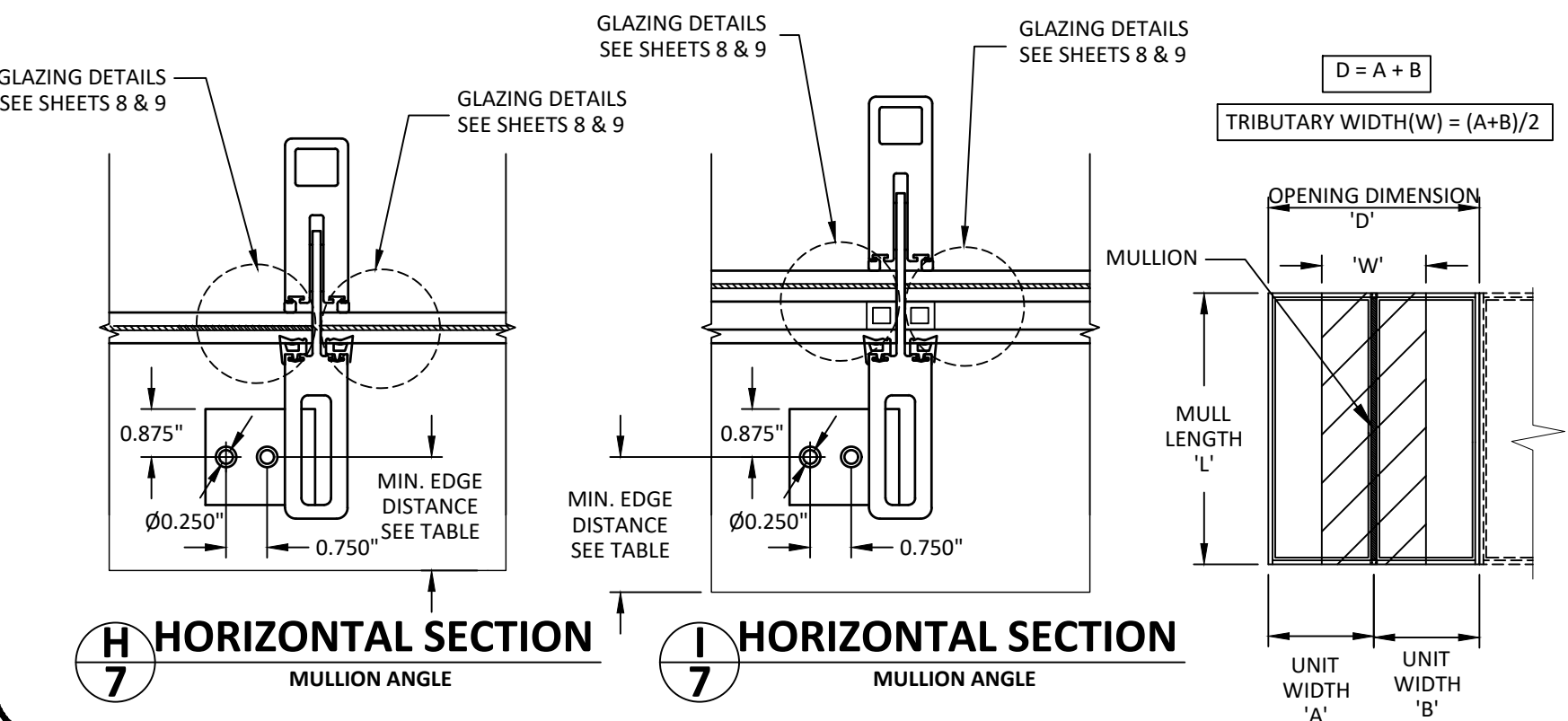
REMARKS	BY	DATE
MISC. UPDATE	OL	6/2023
COMPANY NAME UPD.	SH	9/2023

THE INSTALLATION DETAILS DESCRIBED HEREIN ARE GENERIC AND MAY NOT REFLECT ACTUAL CONDITIONS FOR A SPECIFIC SITE. IF SITE CONDITIONS CAUSE INSTALLATION TO DEVIATE FROM THE REQUIREMENTS DETAILED HEREIN, A LICENSED ENGINEER OR ARCHITECT SHALL PREPARE SITE SPECIFIC DOCUMENTS FOR USE WITH THIS DOCUMENT.

- DAYLIGHT OPENING CALCULATIONS:**
- D.L.O HEIGHT =FRAME HEIGHT-4.000"
 - D.L.O WIDTH =FRAME WIDTH-4.000"

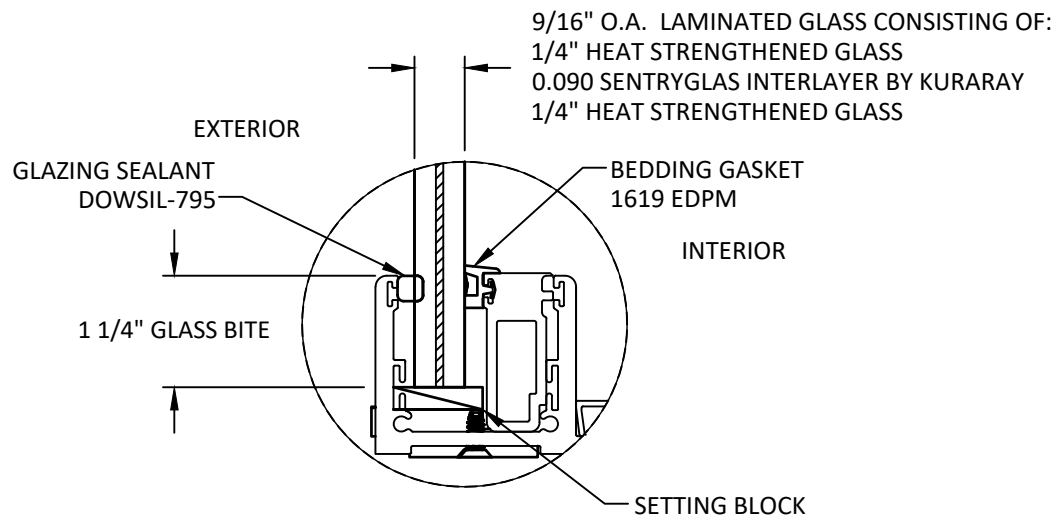


FL #: **FL31965**
DATE: **03.30.2020**
DWG. BY: **YC** | CHK. BY: **HFN**
SCALE: **NTS**
DWG. #: **EWS035**
SHEET: **7** OF 9

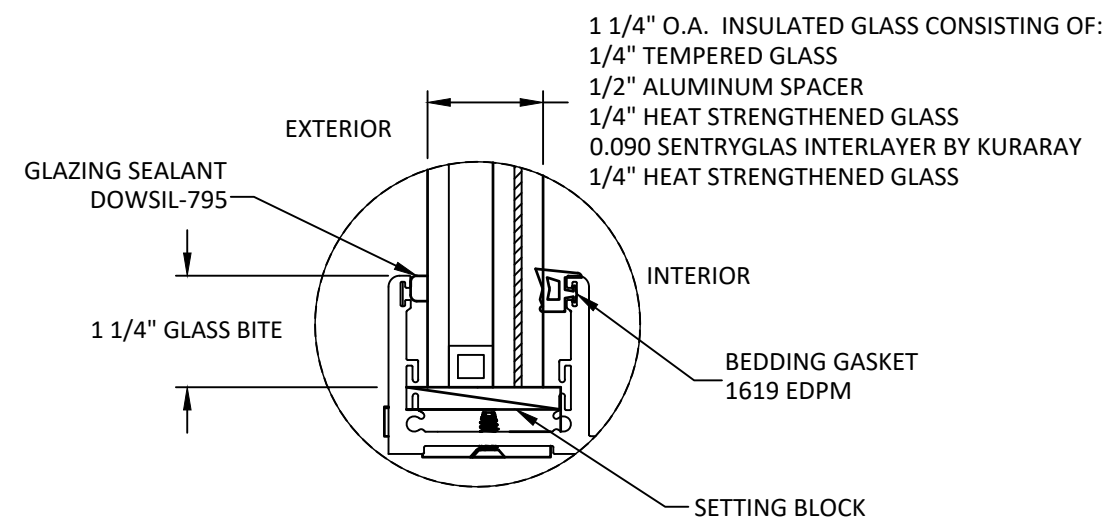


ANCHOR SCHEDULE MULLION CLIP			
SUBSTRATE	ANCHOR SCHEDULE	MIN EMBEDMENT	MIN. EDGE DISTANCE
METAL: STEEL 18 GAUGE, MIN. Fy = 33KSI	1/4" SELF-DRILLING OR SELF-TAPPING ANCHOR	3 THREADS MIN PENETRATION BEYOND METAL	0.50"
METAL: ALUMINUM (6063-T5) MIN 1/8" THICKNESS	1/4" SELF-DRILLING OR SELF-TAPPING ANCHOR	3 THREADS MIN PENETRATION BEYOND METAL	0.50"
CONCRETE: fc=3000PSI	1/4" ITW TAPCON	1.75"	2.50"

9/29/2023 2:33 PM
 s:\projects\euro-wall systems\fb-23-0818 - fbc submittal - fbc submittal - ew submittal - ew holdings of florida llc name change\dwgs\131965\ew035.dwg

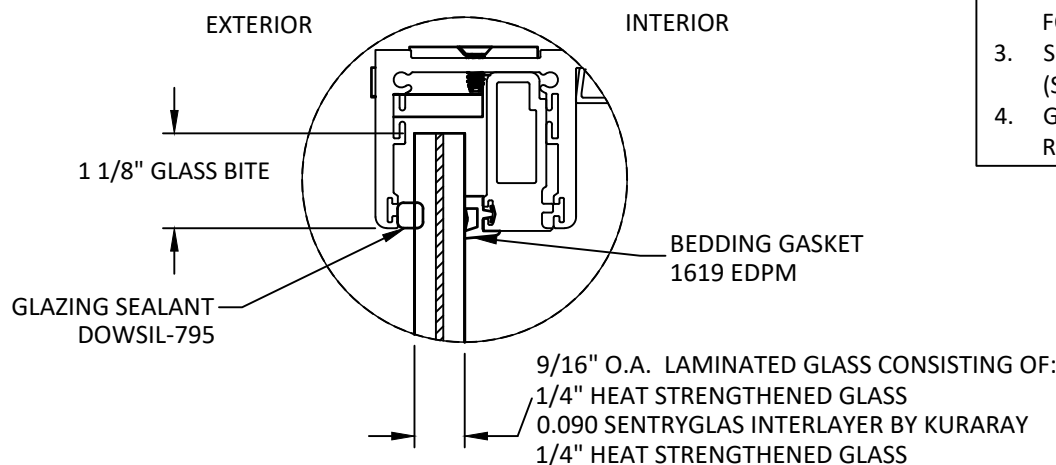


**GLAZING DETAIL 1
SINGLE UNIT BOTTOM**

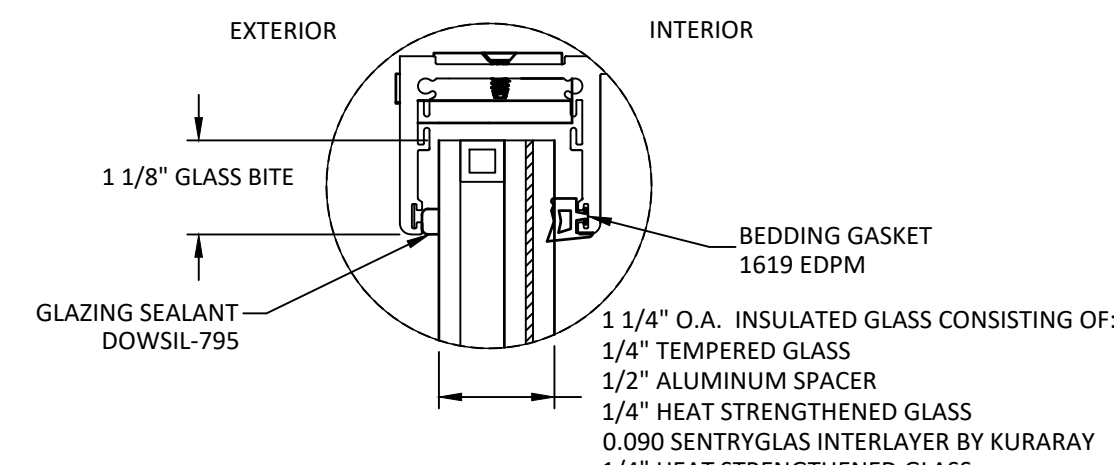


**GLAZING DETAIL 2
SINGLE UNIT BOTTOM**

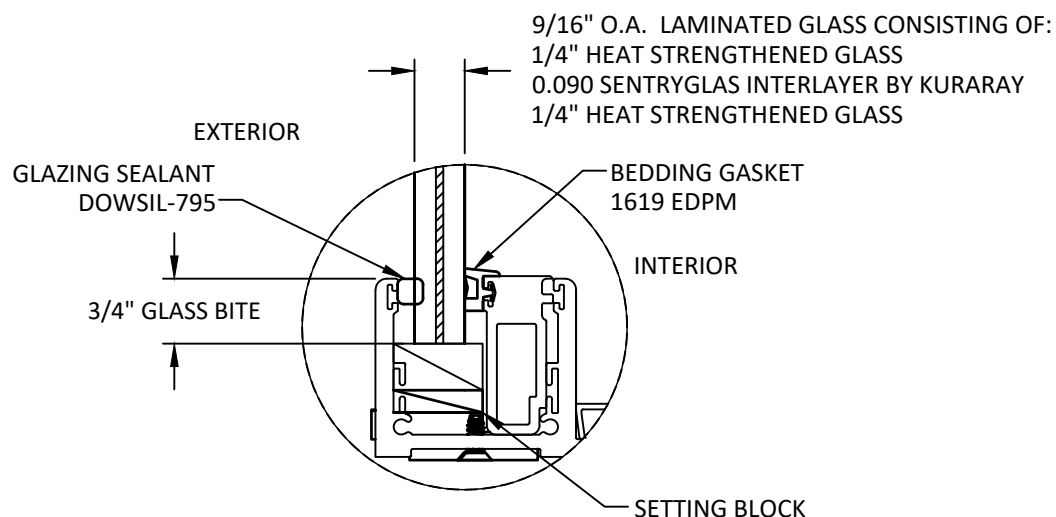
- GLAZING NOTES:**
1. GLASS TYPE COMPLIES WITH ASTM E1300 REQUIREMENTS.
 2. SETTING BLOCKS TO BE LOCATED AT 1/4 SPAN LENGTH FOR GLASS WIDER THAN 36" AS PER FBC CHAPTER 24.
 3. SETTING BLOCK DUROMETER HARDNESS OF 70-90 (SHORE A) AS REFERENCED IN FBC CHAPTER 24.
 4. GLASS TYPE SHALL COMPLY WITH APPLICABLE GLAZING REQUIREMENTS PER CHAPTER 24 OF THE FBC



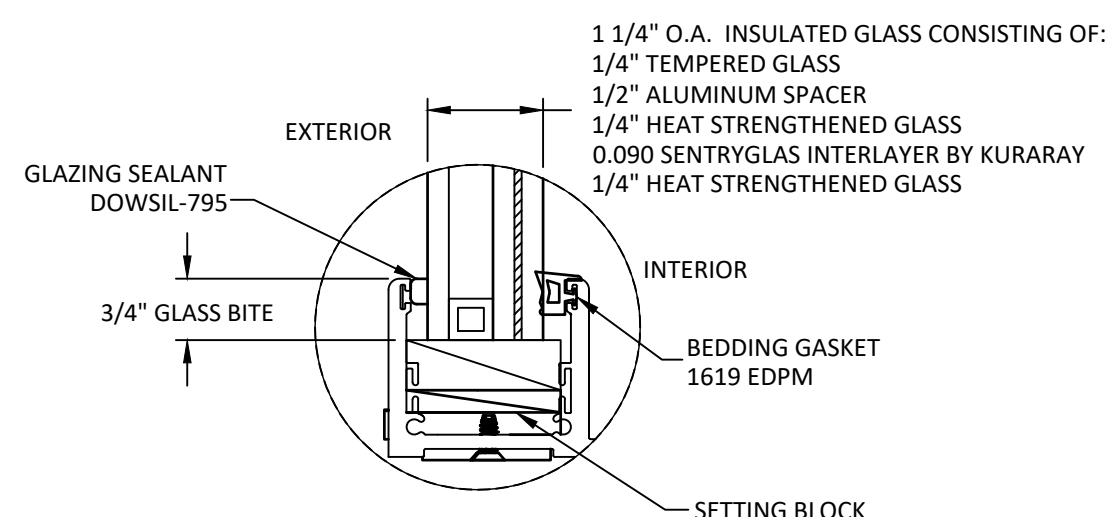
**GLAZING DETAIL 3
SINGLE UNIT TOP**



**GLAZING DETAIL 4
SINGLE UNIT TOP**



**GLAZING DETAIL 5
MULTI UNIT TOP/BOTTOM**



**GLAZING DETAIL 6
MULTI UNIT TOP/BOTTOM**

euro-wall
SUPERIOR BY DESIGN

EURO-WALL, LLC
P.O. BOX 8007
NORTH PORT, FL 34290
PH: 888-989-3876

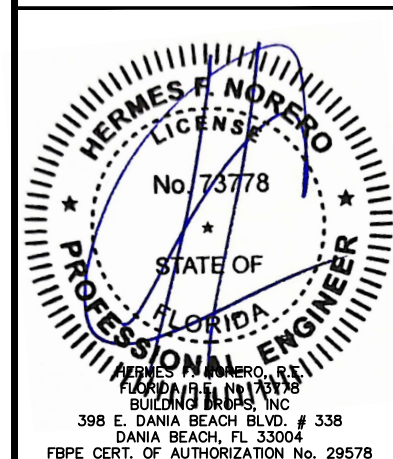
TITLE: **FIXED WINDOW (HVHZ) (IMPACT)**
GLAZING DETAILS

PREPARED BY: **BUILDING DROPS, INC.**
398 E. DANIA BEACH BLVD., STE. 338
DANIA BEACH, FL 33004
PH: (954) 399-8478
FAX: (954) 744-4738
WEB: www.buildingdrops.com



REMARKS	BY	DATE
MISC. UPDATE	OL	6/2023
COMPANY NAME UPD.	SH	9/2023

THE INSTALLATION DETAILS DESCRIBED HEREIN ARE GENERIC AND MAY NOT REFLECT ACTUAL CONDITIONS FOR A SPECIFIC SITE. IF SITE CONDITIONS CAUSE INSTALLATION TO DEVIATE FROM THE REQUIREMENTS DETAILED HEREIN, A LICENSED ENGINEER OR ARCHITECT SHALL PREPARE SITE SPECIFIC DOCUMENTS FOR USE WITH THIS DOCUMENT.



FL #: **FL31965**

DATE: **03.30.2020**

DWG. BY: **YC** CHK. BY: **HFN**

SCALE: **NTS**

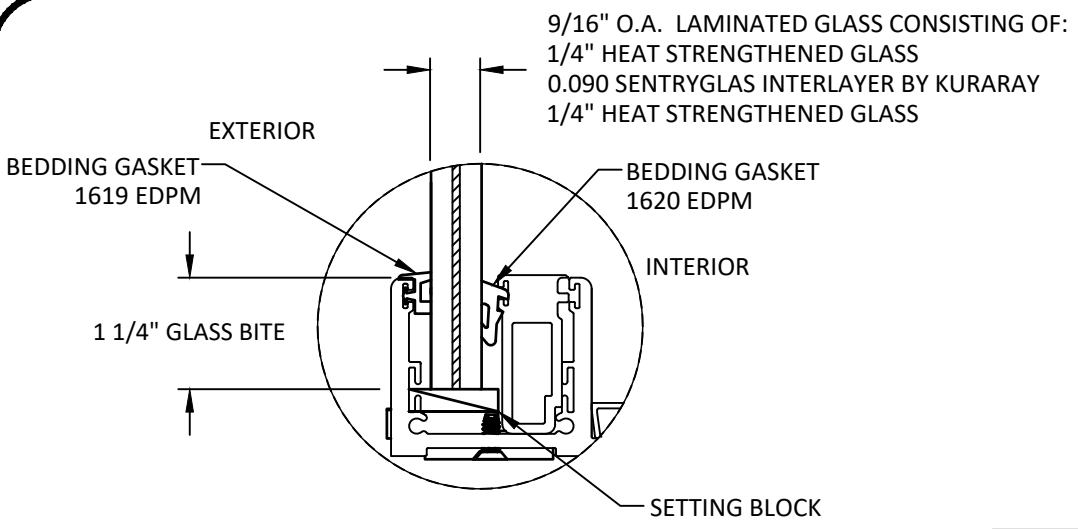
DWG. #: **EWS035**

SHEET:

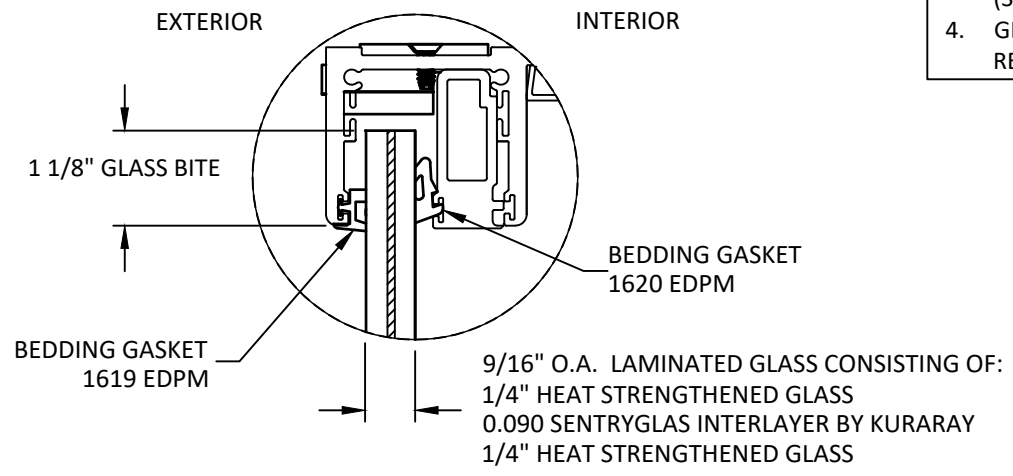
8

OF 9

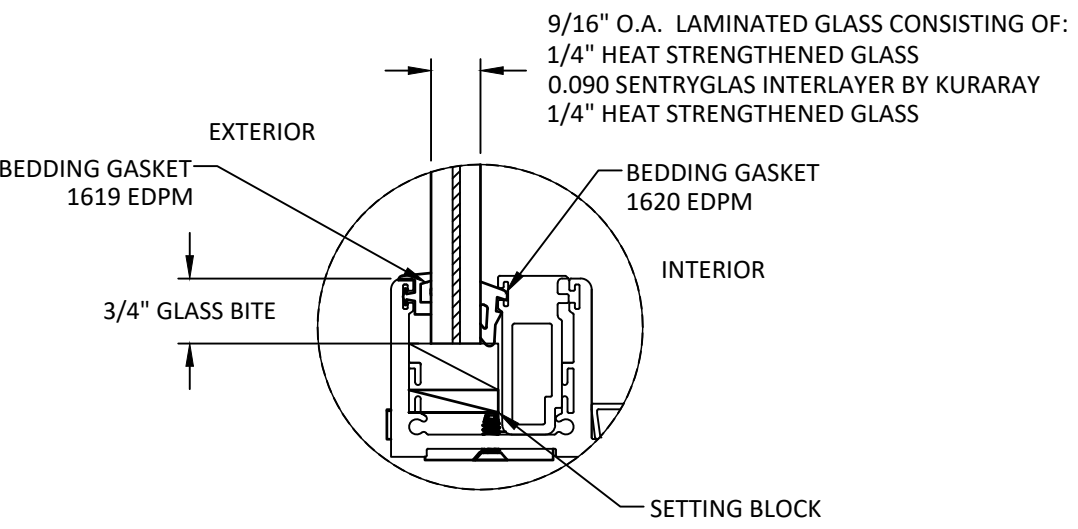
9/29/2023 2:33 PM
 s:\projects\euro-wall systems\fb-23-0818 - fbc submittal - fbc submittal - ew holdings of florida llc name change\dwg\131965\ew035.dwg



**GLAZING DETAIL 7
SINGLE UNIT BOTTOM**

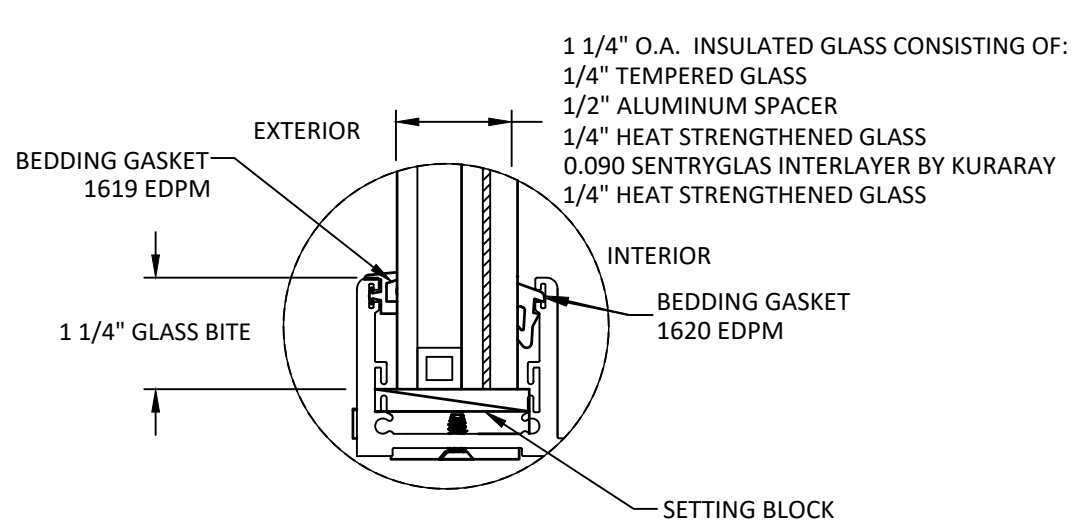


**GLAZING DETAIL 9
SINGLE UNIT TOP**

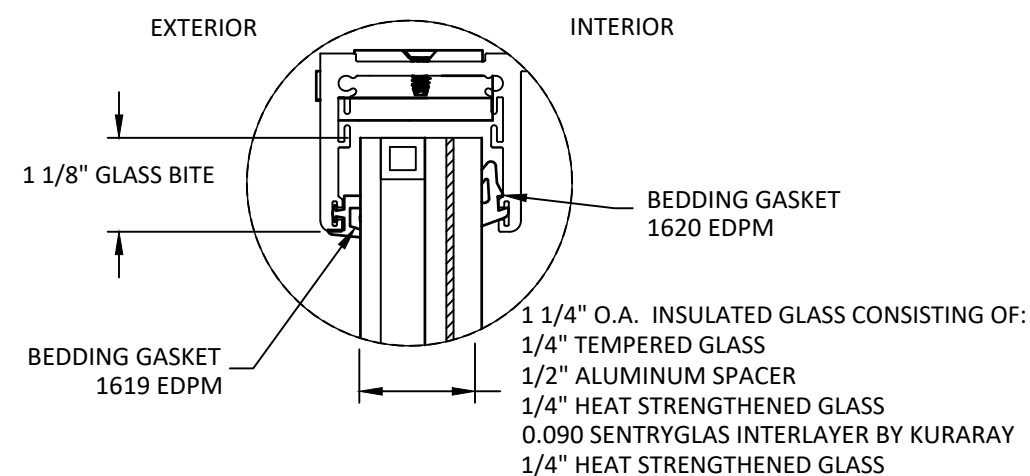


**GLAZING DETAIL 11
MULTI UNIT TOP/BOTTOM**

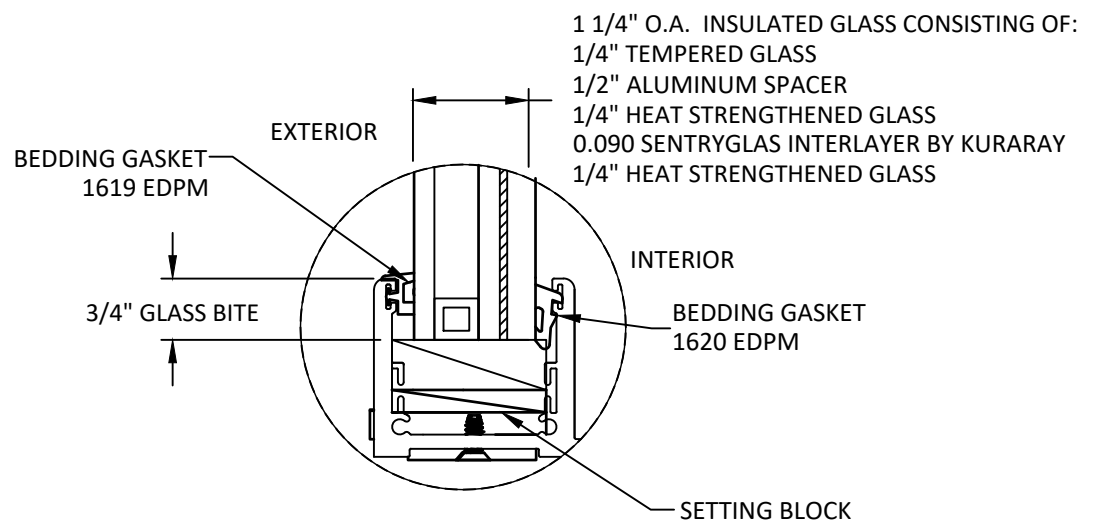
- GLAZING NOTES:**
1. GLASS TYPE COMPLIES WITH ASTM E1300 REQUIREMENTS.
 2. SETTING BLOCKS TO BE LOCATED AT 1/4 SPAN LENGTH FOR GLASS WIDER THAN 36" AS PER FBC CHAPTER 24.
 3. SETTING BLOCK DUROMETER HARDNESS OF 70-90 (SHORE A) AS REFERENCED IN FBC CHAPTER 24.
 4. GLASS TYPE SHALL COMPLY WITH APPLICABLE GLAZING REQUIREMENTS PER CHAPTER 24 OF THE FBC



**GLAZING DETAIL 8
SINGLE UNIT BOTTOM**



**GLAZING DETAIL 10
SINGLE UNIT TOP**



**GLAZING DETAIL 12
MULTI UNIT TOP/BOTTOM**



EURO-WALL, LLC
 P.O. BOX 8007
 NORTH PORT, FL 34290
 PH: 888-989-3876

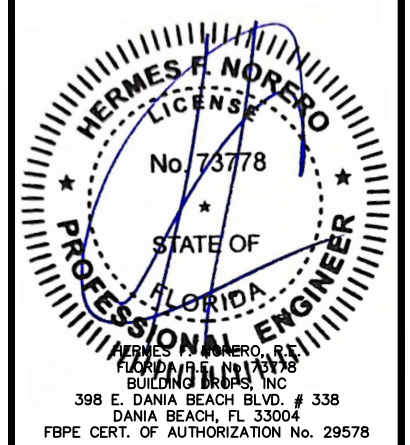
TITLE: **FIXED WINDOW (HVHZ) (IMPACT) GLAZING DETAILS**

PREPARED BY: **BUILDING DROPS, INC.**
 398 E. DANIA BEACH BLVD., STE. 338
 DANIA BEACH, FL 33004
 PH: (954) 399-8478
 FAX: (954) 744-4738
 WEB: www.buildingdrops.com



REMARKS	BY	DATE
MISC. UPDATE	OL	6/2023
COMPANY NAME UPD.	SH	9/2023

THE INSTALLATION DETAILS DESCRIBED HEREIN ARE GENERIC AND MAY NOT REFLECT ACTUAL CONDITIONS FOR A SPECIFIC SITE. IF SITE CONDITIONS CAUSE INSTALLATION TO DEVIATE FROM THE REQUIREMENTS DETAILED HEREIN, A LICENSED ENGINEER OR ARCHITECT SHALL PREPARE SITE SPECIFIC DOCUMENTS FOR USE WITH THIS DOCUMENT.



FL #: **FL31965**

DATE: **03.30.2020**

DWG. BY: YC	CHK. BY: HFN
--------------------	---------------------

SCALE: **NTS**

DWG. #: **EWS035**

SHEET: **9**